



DROMEAS

LINE D

Metallic Frame

Single metal Frame. On all sides of the frame is molded 65 mm foamed polyurethane, which is coated with fabric or leather. The outer sides of the back-seat are covered with a press-pressed thermoplastic material

Headrest

Cylindrical, 400mm and \varnothing 120mm long, foamed polyurethane coated with fabric or leather

Anatomical design

Anatomically designed seat-back according to EN 1335. It offers maximum comfort during long hours

Arms

Made of cast aluminum with nickel plated. The contact surface of the arms is made of molded polyurethane of medium hardness for greater comfort and ergonomics

Tilt mechanism

5-position stabilization, anti-panic system and adjustment to user weight via tilting impeller. Allows tilt / back to 11 °

Base

5-star 660mm, die-cast aluminum painted with electrostatic paint or polished

Twin wheels

The wheels are twin reinforced thermoplastic material (polyamide)



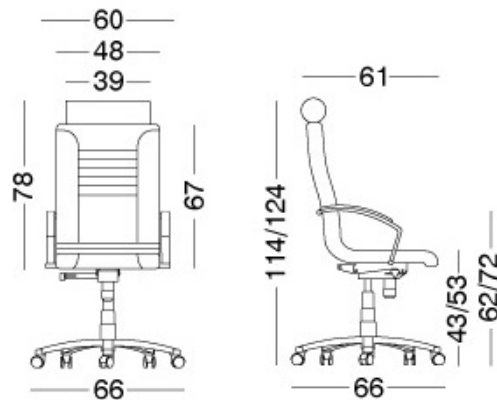
Anatomical design:



Prestigious seats of the LINE series with predominant characteristics of impeccable aesthetics and anatomical design. The tilting mechanism has adjustable pressure for exemplary comfort. The LINE line is a high-end combination of design and functionality offering the seat that accompanies your successes.

Dimensions:

Weight: 28 kg





DROMEAS

Color chart:



Certificates:

EN 1335-1:00
EN 1335-2:00
EN 1335-3:00
DIN 4550 / 12.04



<https://www.dromeas.gr/>